

ENGLISH

| | |
|--|---|
| Introduction | 3 |
| Care and maintenance | 3 |
| Features | 3 |
| General features | 4 |
| Technical specifications | 4 |
| Audio | 4 |
| Wireless connectivity | 4 |
| TWS technology compatible with | 4 |
| Power requirements | 4 |
| Battery | 4 |
| Product content | 4 |
| General overview | 5 |
| Switching on and off the device | 5 |
| Playback control | 6 |
| Wireless Bluetooth® connection | 6 |
| TWS (True Wireless Stereo) | 6 |
| Charging the battery | 6 |
| Warranty | 6 |
| Declaration of conformity | 7 |



Introduction

Thank you for trusting our company and buying your new *Lol&Roll Pop Kids Speaker*. We hope you enjoy it.

Before you start using the product, we strongly recommend reading this manual to get used to it.

Care and maintenance

- Do not use neither corrosive nor abrasive cleaning products.
- Do not disassemble the device. All repair works should be carried out exclusively by qualified staff of Energy Sistem Technology, S.A.
- Make sure your *Lol&Roll Pop Kids Speaker* is off when you are not using it. Do not let it completely discharged for a long time.

Features

General features

- This mini speaker is designed for you to carry your music in your pocket. Use the strap to carry and hang it wherever you want.
- This speaker will surprise you with its acoustic quality. Enjoy its 5 W.
- Connect your speaker to your smartphone, tablet or any audio device easily using Bluetooth® 5.0 wireless technology.
- The lithium battery makes it possible to carry your music wherever you go thanks to the lightweight design, offering up to 3 hours of music.
- Safe for kids 3+: child-suitable materials and Volume Limit that protects children's hearing by restricting volume to a maximum of 85 dB (measurement at 1 meter distance).
- Have fun building the included cardboard toy.

Technical specifications

Audio

- 1.0 sound system
- Power: 5 W
- 1 x 40 mm full range speaker
- Frequency response: 150 Hz ~ 18 kHz
- Limited sound pressure level at 85 dB @ 1m

Wireless connectivity

- Bluetooth® 5.0 (class 2) wireless technology.
- Up to 20 m distance range
- Compatible Bluetooth® profiles: A2DP / AVRCP
- Supported codecs: SBC
- Frequency band: 2.4 GHz
- Maximum output power: < 20 dBm
- True Wireless Stereo technology (Music Share)

TWS technology compatible with

- Lol&Roll Pop Kids Speaker

Power requirements

- Device adapter: 5 V USB Type-C
- Charging cable length: 25 cm

Battery

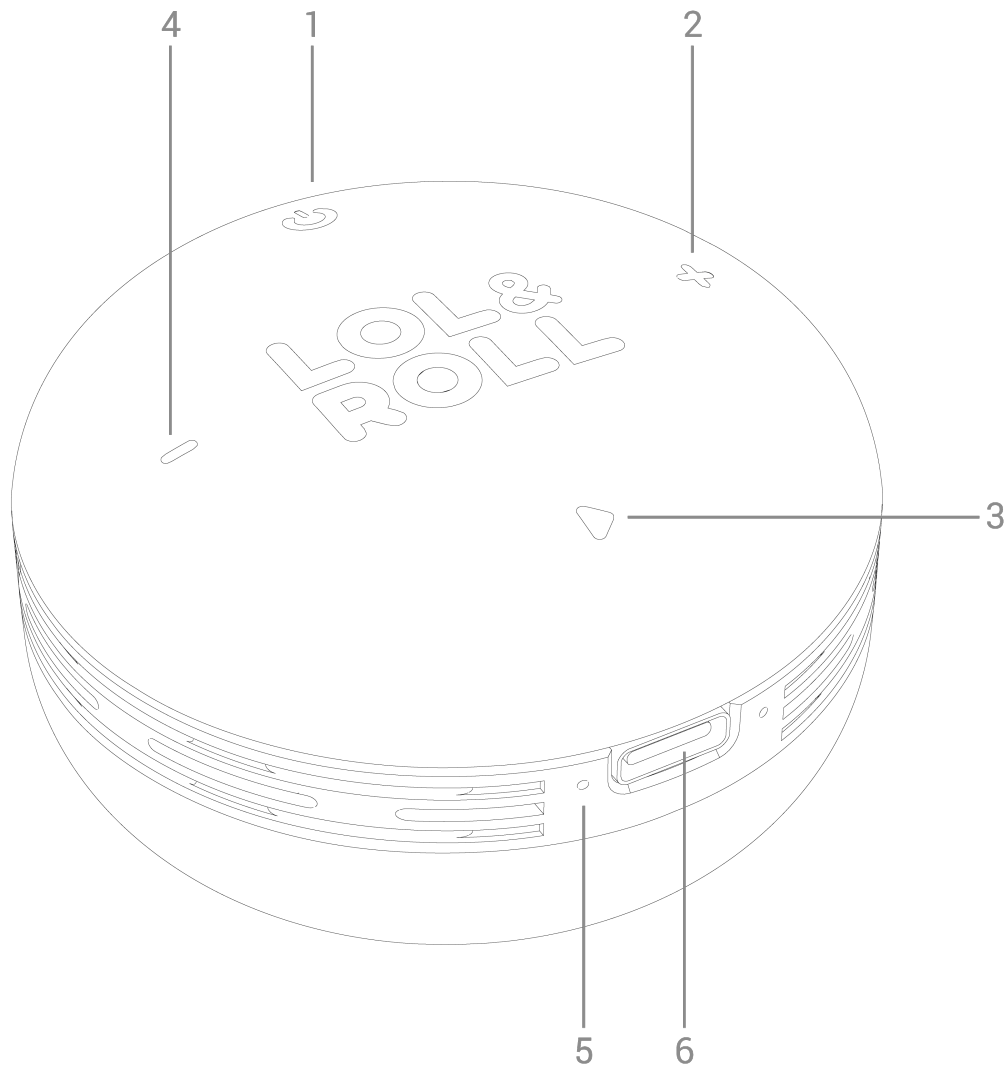
- Capacity: 500 mAh
- Type: lithium-polymer battery
- Battery life: 3 hours*
- Charging time: 2 hours

*The battery life depends on the selected volume level and the type of music.

Product content

- Lol&Roll Pop Kids Speaker
- Carrying strap
- USB Type-C cable
- Quick guide

General overview



1. On/Off
2. Volume +
3. Play/Pause/TWS
4. Volume -
5. LED status indicator
6. USB Type-C charging port

Switching on and off the device

To switch on your *Lol&Roll Pop Kids Speaker*, press and hold *On/Off (1)* for 3 seconds. At this point, the *LED status indicator (5)* lights up. You will hear a confirmation sound.

Press and hold *On/Off (1)* for 3 seconds to turn off the device. You will hear a confirmation sound. At this point, the *LED status indicator (5)* switches off.

Playback control

You can control playback functions from the *Lol&Roll Pop Kids Speaker*. Press *Play/Pause/TWS (3)* to pause or resume playback.

Press *Volume + (2)* or *Volume - (4)* to adjust the volume.

Note To skip to the next/previous track, you will have to use your smartphone.

Wireless Bluetooth® connection

Switch on your *Lol&Roll Pop Kids Speaker*. At this point, the *LED status indicator (5)* starts flashing blue. You will hear a confirmation sound. Enable Bluetooth mode on your smartphone or tablet and select *Lol&Roll Pop Kids Speaker* from the list. The devices will be connected without codes. Once the connection has been established, you will hear a confirmation sound. From that moment on the *LED status indicator (5)* will glow blue.

At this point, you can start music playback on your smartphone or tablet. The Bluetooth wireless connection range is up to 20 metres.

You can also control basic playback functions pressing the *Play/Pause/TWS (3)*, *Volume + (2)*, *Volume - (4)* buttons on the speaker.

Your *Lol&Roll Pop Kids Speaker* connects automatically to the last paired device when you turn it on once again, provided Bluetooth mode is enabled on your smartphone or tablet.

TWS (True Wireless Stereo)

This technology allows you to wirelessly connect another *Lol&Roll Pop Kids Speaker* to increase power and create a stereo sound system with separate left and right channels.

Switch on your *Lol&Roll Pop Kids Speakers* and enable Bluetooth mode on both units. Press *On/Off (1)* twice on one of the speakers and wait until the pairing process is complete. From that moment on, you can start using TWS technology.

You can control music playback pressing the buttons on any of the speakers.

To disable the True Wireless Stereo function, press *On/Off (1)* twice. Both speakers disconnect.

Charging the battery

When the battery level is below 10%, you will hear a sound to remind you to charge the battery. Plug the USB Type-C end of the provided cable into the *USB Type-C charging port (6)* of your *Lol&Roll Pop Kids Speaker* and the other USB end into any device with a USB charging port providing energy (PC, USB wall charger, car charger, etc.) to charge the battery. The *LED status indicator (5)* lights up red and switches off when fully charged. The charging time is approximately 2 hours.

Important:

- Use a 5 V 1 A AC/DC power adapter.
- Do not leave your *Lol&Roll Pop Kids Speaker* completely discharged for a long time.

Warranty

Find the full warranty terms and conditions at:

<https://www.energysistem.com/terms-warranty>

Declaration of conformity

Issuer's name: Energy Sistem Technology, S.A. - CIF: A53107488

Address: C/ Calpe, 1 - 03509 Finestrat, Alicante (Spain)

Tel: +34 966 830 324

We declare under our sole and exclusive responsibility that the product:

Description: wireless speaker

Brand: Energy Sistem

Model: Lol&Roll Pop Kids Speaker

Manufacturer: Energy Sistem Technology, S.A.

Manufacturing country: China

referred to in this declaration complies with the essential norms and standards

EN IEC 62368-1:2020+A11:2020

EN 62479:2010

EN 50663:2017

ETSI 301 489-1 V2.2.3 (2019-11)

ETSI 301 489-17 V3.2.4 (2029-09)

ETSI EN 300 328 V2.2.2 (2019-07)

ETSI EN 303 345-1 V1.1.1 (2019-06)

ETSI EN 303 345-2 V1.1.1 (2020-02)

in conformity with the provisions of the Directive 2014/53/EU of the European Parliament and of the Council of 16th April 2014.

Finestrat, 1st August 2022



Miguel Ángel Aragüez García

Innovation and Technology Director

